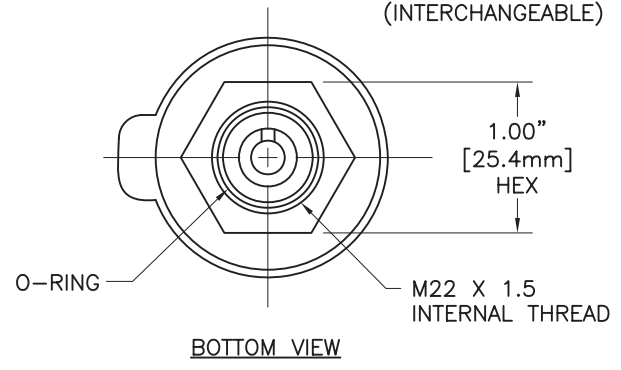
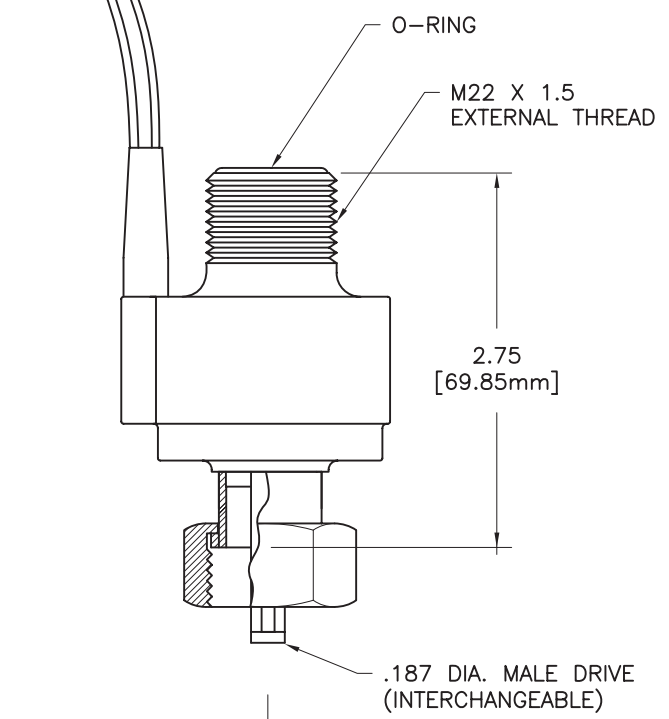
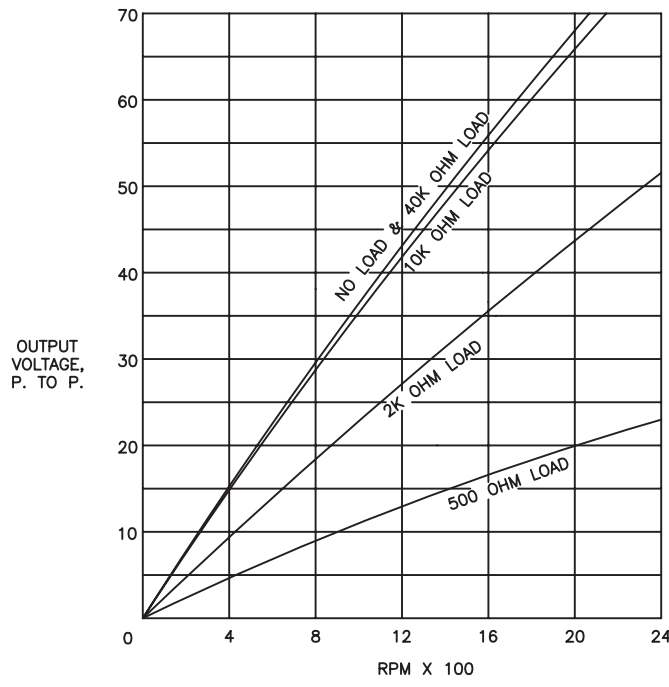
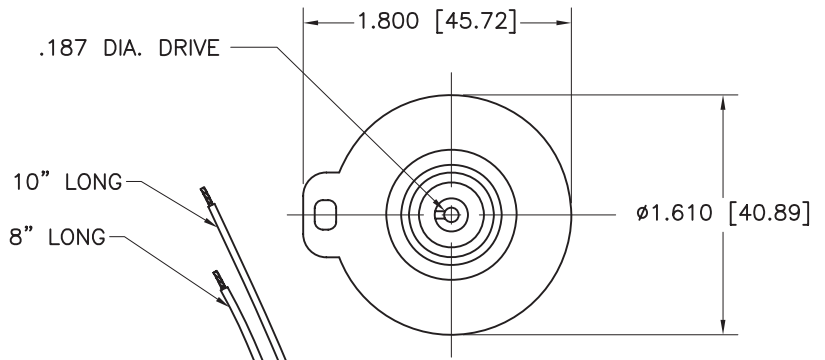


TOP VIEW



BOTTOM VIEW

SPECIFICATIONS:

1. FREQUENCY: 8 PULSES PER REV.
2. DC SOURCE IMPEDANCE: 285 ±10 OHMS
3. INDUCTANCE: 107 mH @ 1000Hz
3. HOUSING MATERIAL: GLASS-FILLED NYLON
4. BEARING: DOUBLE-OILITE
5. LEAD WIRES: 18 AWG., 16/19 STRAND

NOTES:

1. DUAL OUTPUT GENERATOR ALSO AVAILABLE.
2. SPECIAL LENGTHS AND CONNECTORS AVAILABLE.

A

REVISIONS					TOLERANCES		HEWITT INDUSTRIES OF LOS ANGELES	
REV.	DESCRIPTION	EO#	DATE	BY	UNLESS OTHERWISE SPECIFIED:		TITLE:	
A	REVISED PER ECO #	ECO 403	06/13/08	EGM	DIMENSIONS ARE IN INCHES, METRIC EQUIVALENTS ARE IN [BRACKETS]:		SIGNAL GENERATOR	
					.X = .030 [0.76]		DRAWN BY: E.MARIANO	
					.XX = .010 [0.25]		PART NO. 023-001-H	
					.XXX = .005 [0.13]		APPR. BY: H.L.FUJITA	
					FRACTIONS = 1/32		DATE: 06/13/08	
					ANGLES = ±1°		SHEET 1 OF 1	
					SCALE: NONE			